

How to Ensure a Successful Verification

Nick Facciola, P.E.
Manager, Technical Programs
LRQA Americas Sustainability
May 10, 2011

Agenda

- Verification
- Data collection and monitoring
- Meter maintenance
- Monitoring plan requirements
- Some lessons learned



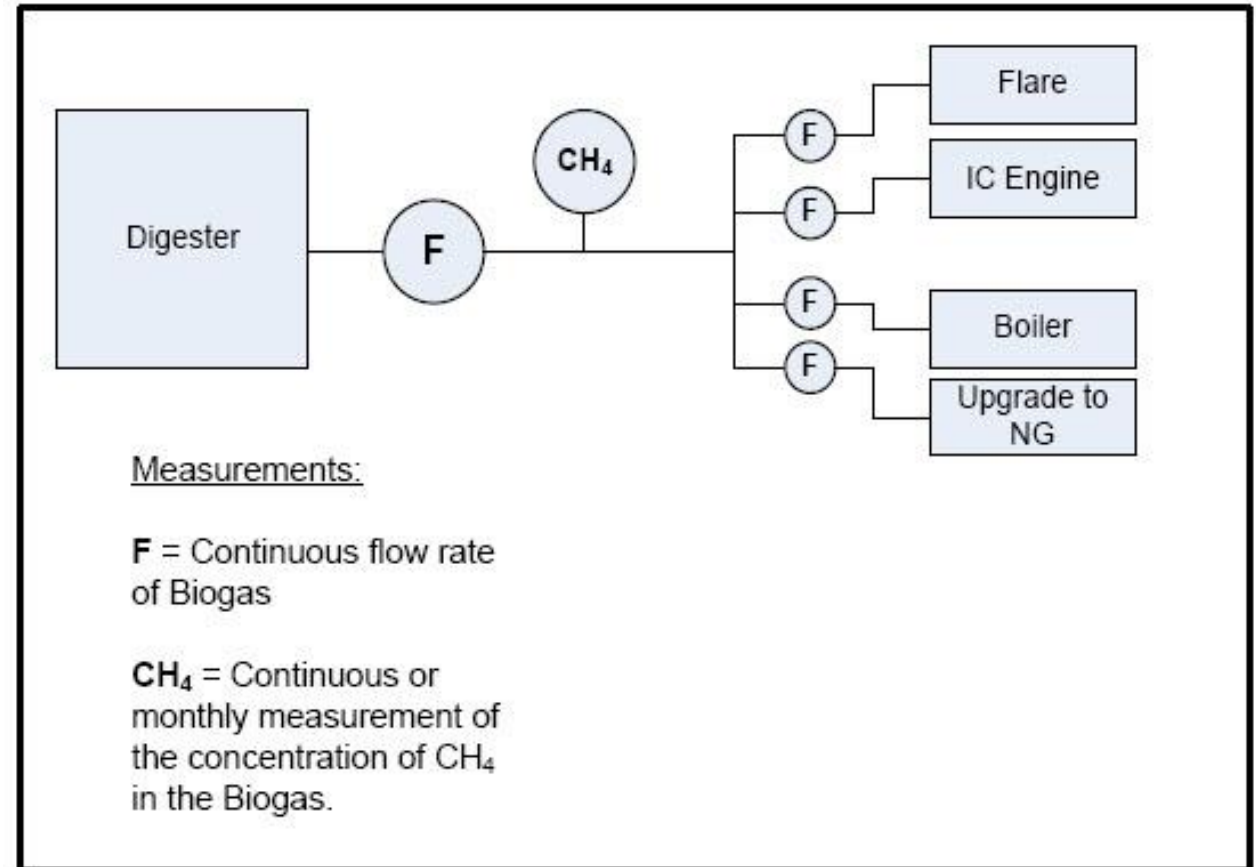
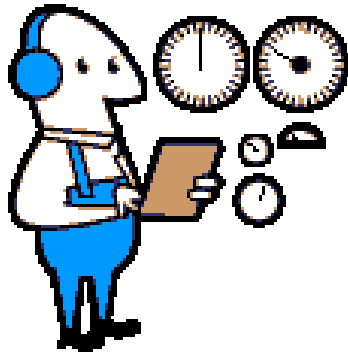
Verification

“Verification plays a vital role in upholding the *integrity* and *quality* of the data reported to both mandatory and voluntary greenhouse gas (GHG) programs *across the world*.”

-Climate Action Reserve, Verification Program Manual

Data collection and monitoring

- Proper metering
 - Correct installation
 - One meter for each stream
- Thorough monitoring
 - Operational activity
 - Eligibility



Meter maintenance

- Calibration
- Field checks for meter accuracy
 - Header pipe flow meters
 - Handheld devices & pitot tubes
 - Meters with zero-flow calibration checks
- Cleaning & inspection
 - Records, records, records!



Monitoring Plan

- The following components help make a good Monitoring Plan:
 - Description of the dairy and the project
 - Flow Meter make, model and serial numbers
 - Make and model of other equipment (engines, CH4 analyzers, data acquisition system)
 - Data collection system procedures
 - Approach and schedule for:
 - Monitoring activities and roles
 - Meter maintenance/ calibration
 - Personnel involved in project
 - Version of the protocol used

Verification experience: lessons learned

- Save copies of all data files for Verifier
- Implement corrections to systems without delay
- Keep costs down, but not at cost of credits
- CAR does not allow Verifier to make judgement call on many protocol requirements, so be sure to follow protocol closely
- Requesting variance mid-verification can stall verification activities greatly
- Variances only granted once - make improvements!
- When in doubt, contact CAR



Any questions?

For more information, please contact:

Nick Facciola, P.E.

Manager, Technical Programs

LRQA Americas Sustainability, Inc.
1216 State Street, 5th Floor
Santa Barbara, CA 93101, USA

T +1 (1)805 979 9052

E nick.facciola@lrqa.com

w www.lrqasustainability.us

Services are provided by LRQA and other members of the Lloyd's Register Group. For further information visit www.lr.org/entities

